

Three Op Amp Instrumentation Amplifier Circuit



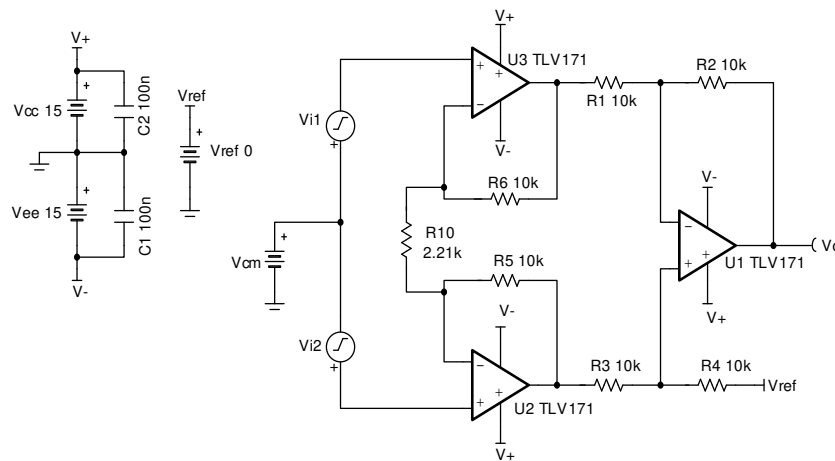
Amplifiers

Design Goals

Input V_{idiff} ($V_{i2} - V_{i1}$)		Common-Mode Voltage	Output		Supply		
$V_{i\ diff\ Min}$	$V_{i\ diff\ Max}$	V_{cm}	V_{oMin}	V_{oMax}	V_{cc}	V_{ee}	V_{ref}
-0.5 V	+0.5 V	$\pm 7\ V$	-5 V	+5 V	+15 V	-15 V	0 V

Design Description

This design uses 3 op amps to build a discrete instrumentation amplifier. The circuit converts a differential signal to a single-ended output signal. Linear operation of an instrumentation amplifier depends upon linear operation of its building block: op amps. An op amp operates linearly when the input and output signals are within the device's input common-mode and output swing ranges, respectively. The supply voltages used to power the op amps define these ranges.



Design Notes

1. Use precision resistors to achieve high DC CMRR performance
2. R_{10} sets the gain of the circuit.
3. Add an isolation resistor to the output stage to drive large capacitive loads.
4. High-value resistors can degrade the phase margin of the circuit and introduce additional noise in the circuit.
5. Linear operation is contingent upon the input common-mode and the output swing ranges of the discrete op amps used. The linear output swing ranges are specified under the A_{01} test conditions in the op amps data sheets.

Design Steps

1. Transfer function of this circuit:

$$V_O = (V_{i2} - V_{i1}) \times G + V_{ref}$$

When $V_{ref} = 0$, the transfer function simplifies to the following equation:

$$V_O = (V_{i2} - V_{i1}) \times G$$

where

$$G = \frac{R_4}{R_3} \times \left(1 + \frac{2 \times R_5}{R_{10}} \right)$$

2. Select the feedback loop resistors R_5 and R_6 :

Choose $R_5 = R_6 = 10 \text{ k}\Omega$ (Standard Value)

3. Select R_1 , R_2 , R_3 , R_4 . To set the V_{ref} gain at 1 V/V and avoid degrading the instrumentation amplifier's CMRR, ratios of R_4/R_3 and R_2/R_1 must be equal.

Choose $R_1 = R_2 = R_3 = R_4 = 10 \text{ k}\Omega$ (Standard Value)

4. Calculate R_{10} to meet the desired gain:

$$G = \frac{R_4}{R_3} \times \left(1 + \frac{2 \times R_5}{R_{10}} \right) = 10 \frac{\text{V}}{\text{V}}$$

$$R_4 = R_3 = 10 \text{ k}\Omega$$

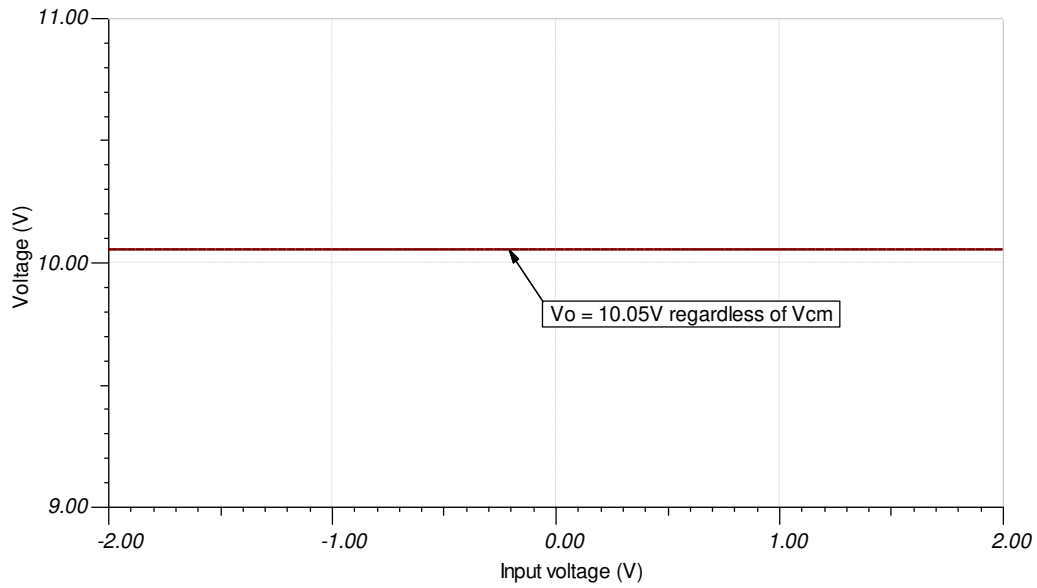
$$\rightarrow G = \left(1 + \frac{2 \times 10 \text{ k}\Omega}{R_{10}} \right) = 10 \frac{\text{V}}{\text{V}} \rightarrow \left(1 + \frac{20 \text{ k}\Omega}{R_{10}} \right) = 10 \frac{\text{V}}{\text{V}}$$

$$\frac{20 \text{ k}\Omega}{R_{10}} = 9 \frac{\text{V}}{\text{V}} \rightarrow R_{10} = \frac{20 \text{ k}\Omega}{9} = 2222.2\Omega \rightarrow R_{10} = 2.21 \text{ k}\Omega \text{ (Standard Value)}$$

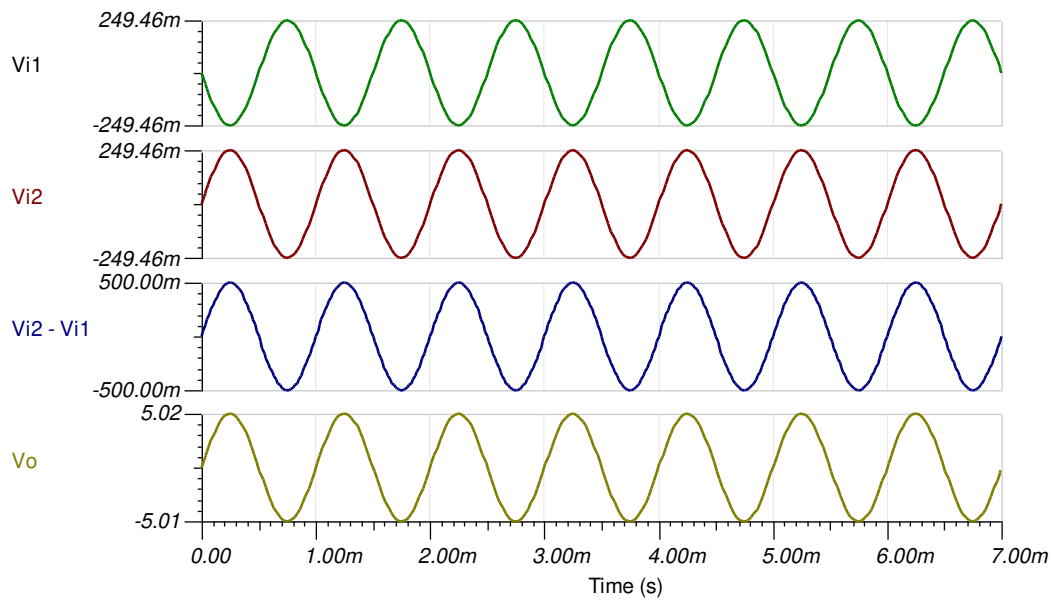
5. To check the common-mode voltage range, download and install the program from reference [5]. Edit the INA_Data.txt file in the installation directory by adding the code for a 3 op amp INA whose internal amplifiers have the common-mode range, output swing, and supply voltage range as defined by the amplifier of choice (TLV172, in this case). There is no V_{be} shift in this design and the gain of the output stage difference amplifier is 1 V/V. The default supply voltage and reference voltages are $\pm 15 \text{ V}$ and 0 V, respectively. Run the program and set the gain and reference voltage accordingly. The resulting V_{CM} vs. V_{OUT} plot approximates the linear operating region of the discrete INA.

Design Simulations

DC Simulation Results



Transient Simulation Results



References:

1. [Analog Engineer's Circuit Cookbooks](#)
2. SPICE Simulation File [SBOMAU8](#)
3. [TI Precision Labs](#)
4. [Instrumentation Amplifier \$V_{CM}\$ vs. \$V_{OUT}\$ Plots](#)
5. [Common-mode Range Calculator for Instrumentation Amplifiers](#)

Design Featured Op Amp

TLV171	
V_{SS}	4.5 V to 36 V
V_{inCM}	$(V-) - 0.1 V < V_{in} < (V+) - 2 V$
V_{out}	Rail-to-rail
V_{os}	0.25 mV
I_q	475 μ A
I_b	8 pA
UGBW	3 MHz
SR	1.5 V/ μ s
#Channels	1, 2, and 4
TLV171	

Design Alternate Op Amp

	OPA172	OPA192
V_{SS}	4.5 V to 36 V	4.5 V to 36 V
V_{inCM}	$(V-) - 0.1 V < V_{in} < (V+) - 2 V$	$V_{ee} - 0.1 V$ to $V_{cc} + 0.1 V$
V_{out}	Rail-to-rail	Rail-to-rail
V_{os}	0.2 mV	$\pm 5 \mu$ V
I_q	1.6 mA	1 mA/Ch
I_b	8 pA	5 pA
UGBW	10 MHz	10 MHz
SR	10 V/ μ s	20 V/ μ s
#Channels	1, 2, and 4	1, 2, and 4
	OPA172	OPA192

IMPORTANT NOTICE AND DISCLAIMER

TI PROVIDES TECHNICAL AND RELIABILITY DATA (INCLUDING DATA SHEETS), DESIGN RESOURCES (INCLUDING REFERENCE DESIGNS), APPLICATION OR OTHER DESIGN ADVICE, WEB TOOLS, SAFETY INFORMATION, AND OTHER RESOURCES "AS IS" AND WITH ALL FAULTS, AND DISCLAIMS ALL WARRANTIES, EXPRESS AND IMPLIED, INCLUDING WITHOUT LIMITATION ANY IMPLIED WARRANTIES OF MERCHANTABILITY, FITNESS FOR A PARTICULAR PURPOSE OR NON-INFRINGEMENT OF THIRD PARTY INTELLECTUAL PROPERTY RIGHTS.

These resources are intended for skilled developers designing with TI products. You are solely responsible for (1) selecting the appropriate TI products for your application, (2) designing, validating and testing your application, and (3) ensuring your application meets applicable standards, and any other safety, security, regulatory or other requirements.

These resources are subject to change without notice. TI grants you permission to use these resources only for development of an application that uses the TI products described in the resource. Other reproduction and display of these resources is prohibited. No license is granted to any other TI intellectual property right or to any third party intellectual property right. TI disclaims responsibility for, and you will fully indemnify TI and its representatives against, any claims, damages, costs, losses, and liabilities arising out of your use of these resources.

TI's products are provided subject to [TI's Terms of Sale](#) or other applicable terms available either on ti.com or provided in conjunction with such TI products. TI's provision of these resources does not expand or otherwise alter TI's applicable warranties or warranty disclaimers for TI products.

TI objects to and rejects any additional or different terms you may have proposed.

Mailing Address: Texas Instruments, Post Office Box 655303, Dallas, Texas 75265
Copyright © 2022, Texas Instruments Incorporated